

PS500 Series Gas Ovens

Models:

- PS555
- PS570S

PARTS MANUAL

for European export ovens

© 2000 Middleby Marshall, Inc.



**Middleby
Marshall®** is a registered trademark of Middleby Marshall, Inc. All rights reserved.

Middleby Cooking Systems Group • 1400 Toastmaster Drive • Elgin, IL 60120 • (847)741-3300 • FAX (847)741-4406

TABLE OF CONTENTS

<i>Section</i>	<i>Page</i>
I. KEY SPARE PARTS KIT	3
II. INSTALLATIONKIT	4
III. BASE PAD KIT	4
IV. OVEN PANELS, WINDOW AND LEGS	6
V. CONTROL PANEL AND MACHINERY COMPARTMENT	8
VI. SIDE COMPARTMENTS	10
VII. BLOWER ASSEMBLIES AND BLOWER MOTORS	12
VIII. GAS BURNER SYSTEM	14
IX. CONVEYOR ASSEMBLY, SINGLE-BELT OVENS	16
X. CONVEYOR ASSEMBLY, SPLIT-BELT OVENS	18

NOTE: Throughout this Parts Manual, the following abbreviations are used:

A/R = Quantity As Required

N/A = Does Not Apply

WARNING

**FOR YOUR SAFETY DO NOT STORE OR USE GASOLINE OR OTHER
FLAMMABLE VAPORS AND LIQUIDS IN THE VICINITY OF THIS OR
ANY OTHER APPLIANCE**

WARNING

**Improper installation, adjustment, alteration, service or maintenance
can cause property damage, injury or death. Read the installation,
operating and maintenance instructions thoroughly before install-
ing or servicing this equipment.**

WARNING

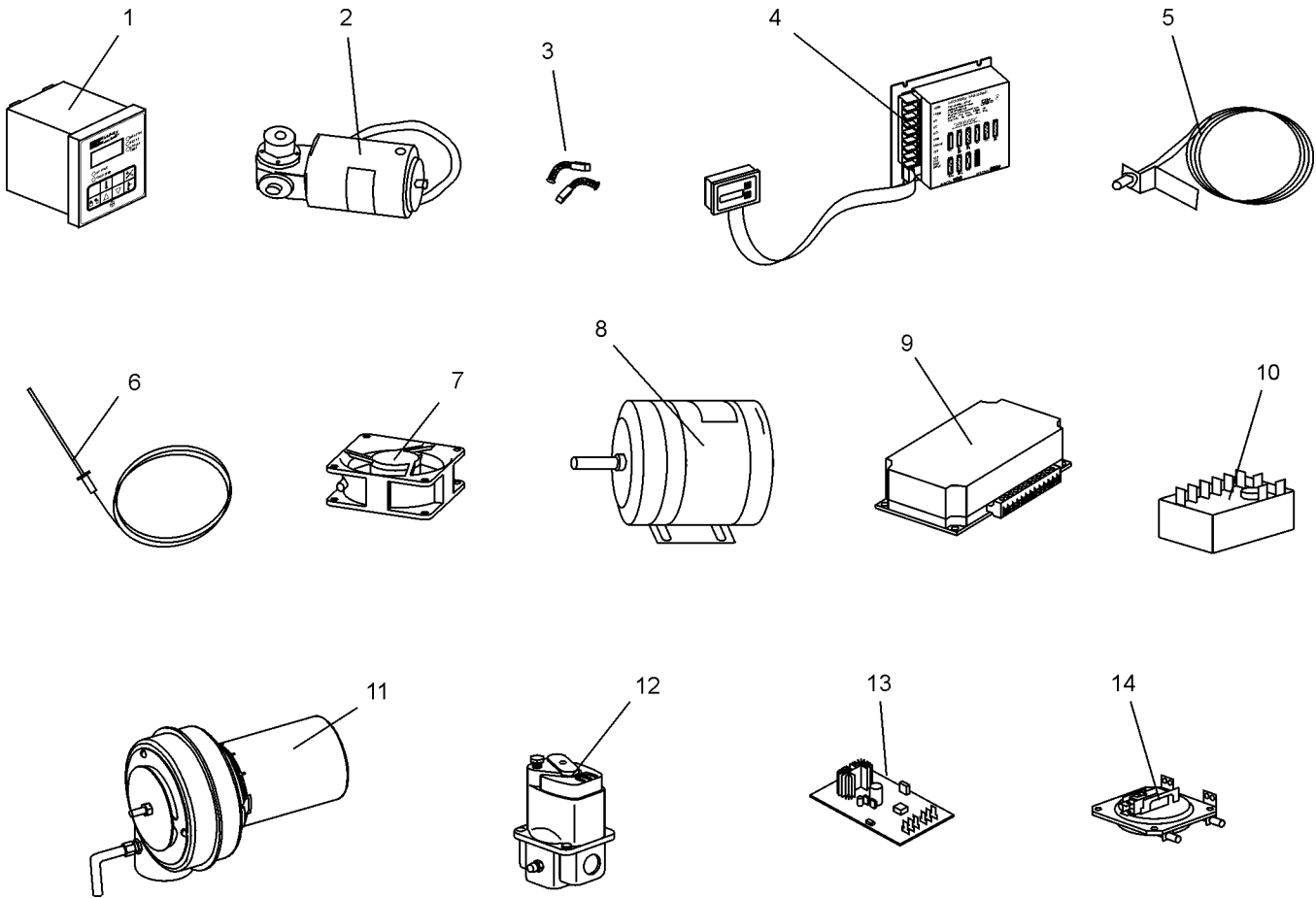
**DISCONNECT THE OVEN FROM ITS ELECTRICAL POWER SUPPLY
BEFORE SERVICING.**

NOTICE

Using any parts other than genuine Middleby Marshall factory manufactured parts relieves
the manufacturer of all warranty and liability.

NOTICE

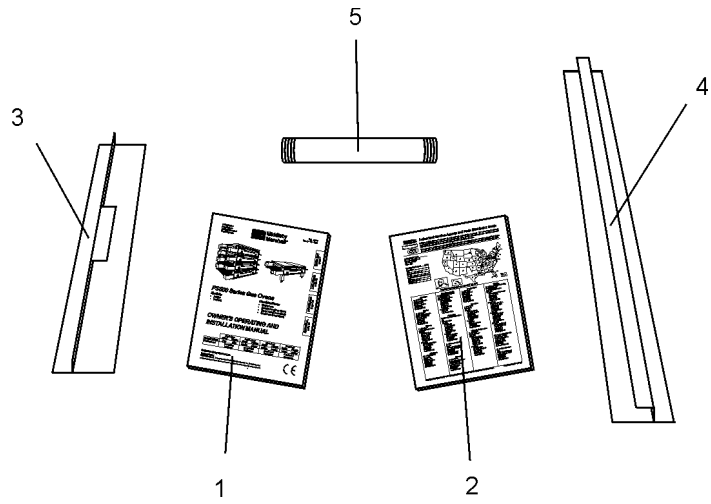
Middleby Marshall (Manufacturer) reserves the right to change specifications at any time.



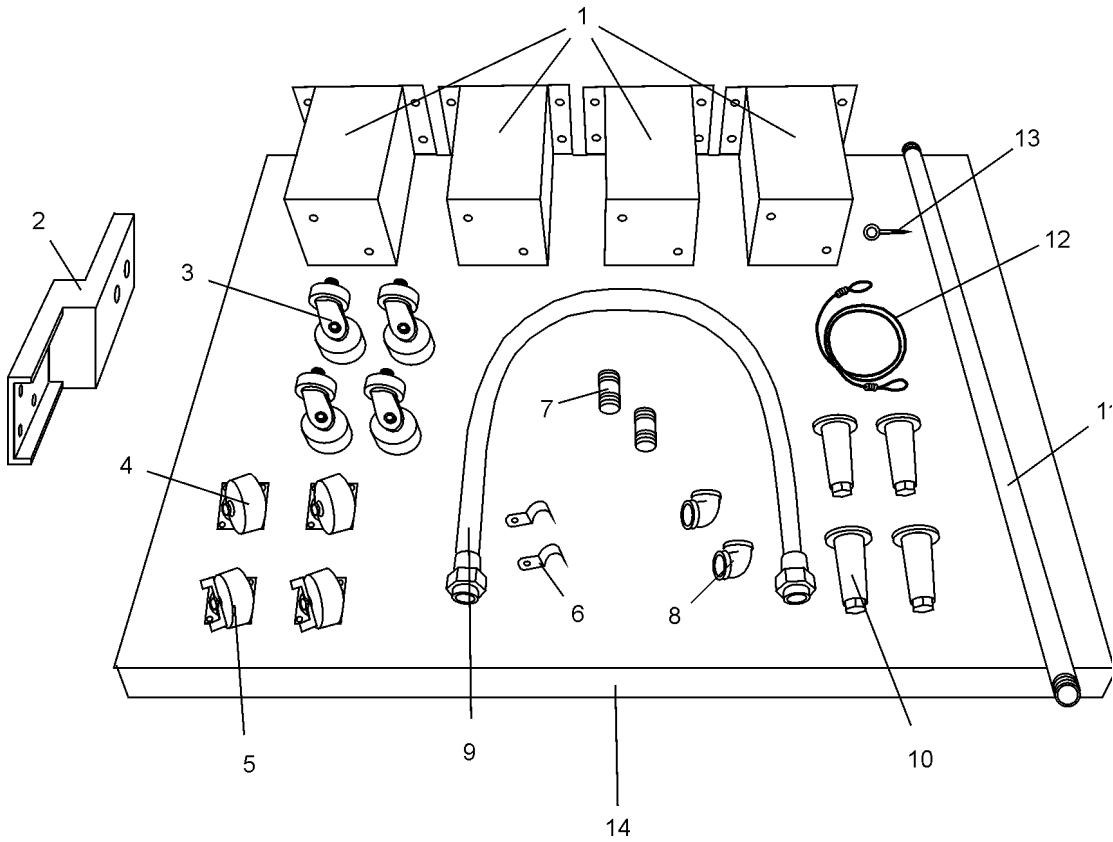
I. KEY SPARE PARTS KIT

ITEM	QTY.	P/N	DESCRIPTION
1	1	36939	KIT, DIGITAL TEMPERATURE CONTROL
2	1	27384-0008	MOTOR, DRIVE
3	2	22450-0052	BRUSH, DRIVE MOTOR
4	1	37337	KIT, CONVEYOR SPEED CONTROLLER WITH DIGITAL DISPLAY
5	1	27170-0263	ASSEMBLY, PICKUP, DRIVE MOTOR
6	1	33984	KIT, THERMOCOUPLE
7	1	97525	FAN, COOLING
8	1	27381-0069	MOTOR, BLOWER, 1 HP
9	1	35825	KIT, IGNITION MODULE
10	1	33983	HIGH LIMIT CONTROL MODULE, 240V
11	1	38811	BURNER BLOWER/MOTOR ASSEMBLY
12	1	41647	VALVE, MODULATING GAS, 1/2"
13	1	31651	AMPLIFIER, MODULATING VALVE
14	1	37498	AIR SWITCH

INSTALLATION KIT



BASE PAD KIT



II. INSTALLATION KIT

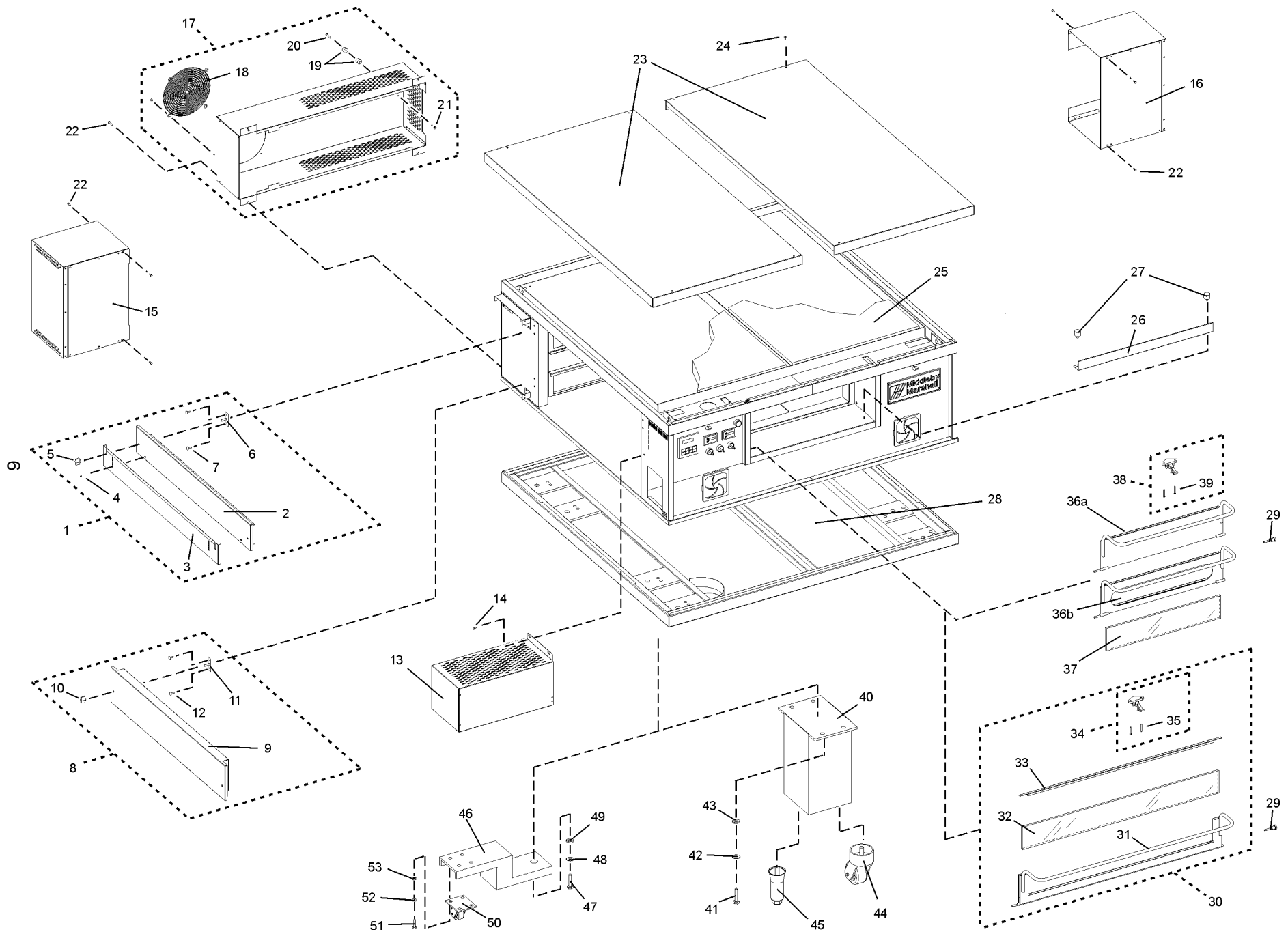
ITEM	QTY. - SGL. BELT	QTY. - SPLIT BELT	P/N	DESCRIPTION
1	1	1	43015	OWNER'S OPERATING AND INSTALLATION MANUAL, PS500 SERIES OVENS (EUROPEAN EXPORT VERSIONS)
2	1	1	1002040	AUTHORIZED SERVICE AGENCY LISTING/DISTRIBUTOR'S GUIDE
3	1	1	35900-0148	CONVEYOR REAR STOP
4	1	1	35000-1103	CONVEYOR END STOP
5	1	1	33120-0053	GAS PIPE NIPPLE

III. BASE PAD KIT

ITEM	QTY. SINGLE OVEN	QTY. - DBL. OVEN W/ 10" LEGS	QTY. - DBL. OVEN W/ 15" LEGS	QTY. TRIPLE OVEN	QTY. QUAD OVEN	P/N	DESCRIPTION
1a	4	--	--	--	--	37210-0060	LEG, 483mm
1b	--	4	--	--	--	37210-0082	LEG, 254mm
1c	--	--	4	--	--	37210-0057	LEG, 381mm
1d	--	--	--	4 (optional)	--	43158	LEG, 102mm
2	--	--	--	--	4	37210-0054	OUTRIGGER
3	4	4	4	4	--	37115-0102	CASTER, SWIVEL WITH 3/4" STUD
4	--	--	--	--	2	22290-0010	CASTER, SWIVEL WITH PLATE (W/O BRAKE)
5	--	--	--	--	2	22290-0009	CASTER, SWIVEL WITH PLATE & BRAKE
6	2	2	2	2	2	27271-0004	PIPE CLAMP, 1-1/2"
7	2	2	2	2	2	33120-0055	NIPPLE, 1-1/4" DIA. X 76mm L, NPT
8	2	2	2	2	2	23122-0007	ELBOW, 90°, 1-1/4" DIA.
9	1	1	1	1	1	22361-0003	GAS HOSE, 1-1/4" DIA. X 72" L
10	4	4	4	4	--	22450-0028	LEG, 152mm, ADJUSTABLE WITH 3/4" STUD
11	1	1	1	1	1	33120-0056	GAS PIPE, 1-1/4" DIA. X 54" 1372mm L
12	1	1	1	1	1	22450-0253	RESTRAINT CABLE, 1524mm
13	1	1	1	1	1	21392-0005	EYE BOLT/LAG SCREW
14a	2	2	2	2	2	42431	TOP COVER (RIGHT OR LEFT), PS570S
14b	2	2	2	2	2	41582	TOP COVER (RIGHT OR LEFT), PS555

NOT SHOWN:

--	1	1	1	1	1	41714	BASE PAD, PS570S
--	1	1	1	1	1	41643	BASE PAD, PS555
--	8	8	8	8	8	21256-0069	SCREW, SLT TRS HD #10-32 X 1-1/4"
--	2	2	2	2	2	21292-0001	SCREW, TEKS HWH #2PT #10-16 X 3/4"
--	16	16	16	--	8	21216-0018	BOLT, HEX CAP 1/2"-13 X 1-1/4"
--	16	16	16	--	8	21416-0003	FLAT WASHER, 1/2"
--	16	16	16	--	8	21426-0004	LOCK WASHER, 1/2"
--	--	--	--	--	16	220373	SCREW, HEX HD 3/8"-16 X 1"
--	--	--	--	--	16	21416-0001	FLAT WASHER, 3/8"
--	--	--	--	--	16	21422-0001	LOCK WASHER, 3/8"

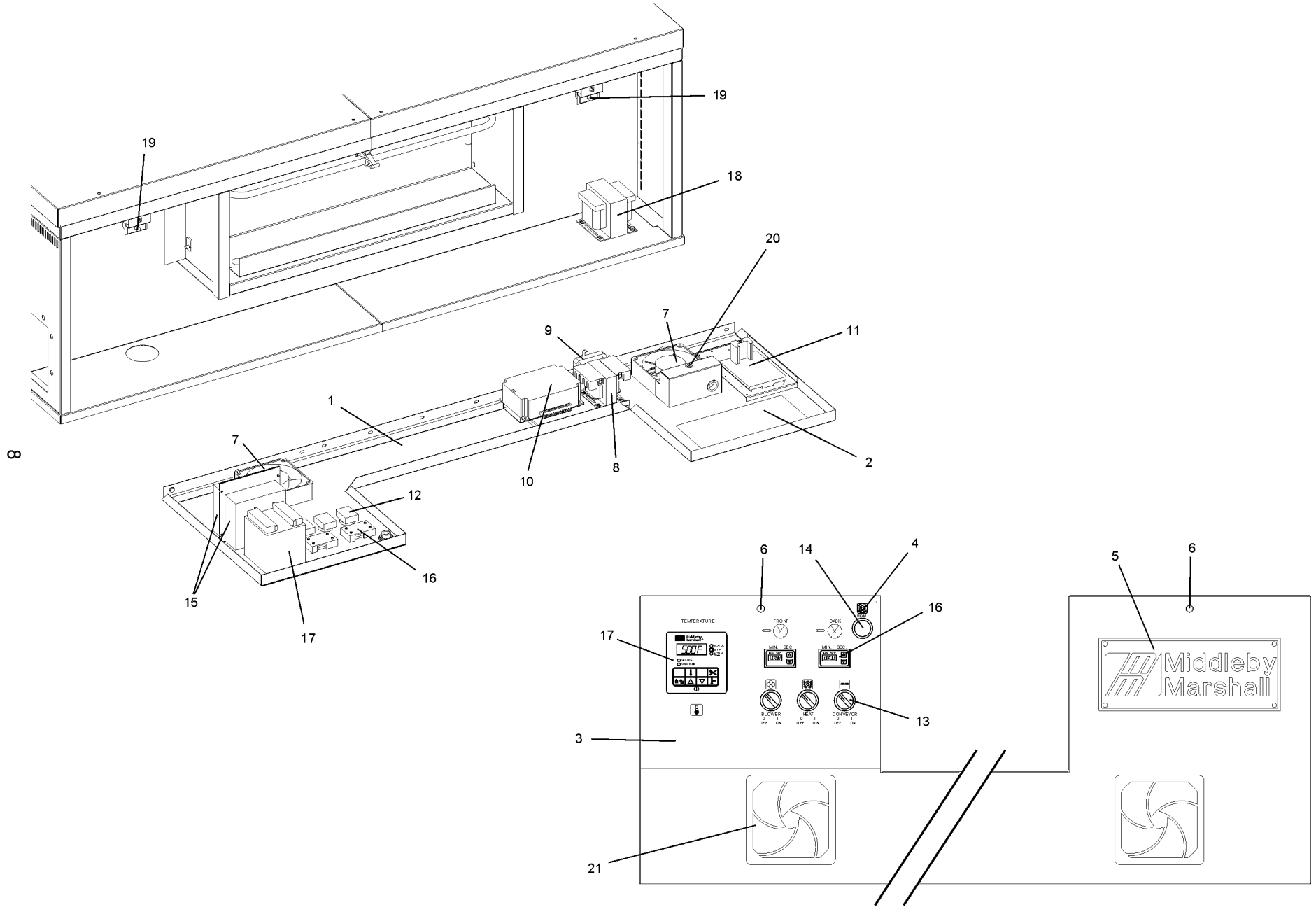


IV. OVEN PANELS, WINDOW AND LEGS

ITEM	QTY.	P/N	DESCRIPTION
1	2	39539	ASSY, UPPER END PLUG (INC. ITEMS 2-7)
2	1	41778	WELDMENT, UPPER END PLUG PS500
3	1	41738	EYEBROW
4	2	220295	SCREW, "AB" HEX WSHR HD #10 X 3/4"
5	2	36452	WING NUT, 1/4"-20 W/PLASTIC GRIP
6	2	41708	PLATE, END PLUG MOUNTING
7	4	21292-0001	SCREW, TEKS HWH #2PT #10-16 X 3/4"
8	2	39569	ASSY, LOWER END PLUG (INC. ITEMS 9-12)
9	1	41779	WELDMENT, LOWER END PLUG PS500
10	2	36452	WING NUT, 1/4"-20 W/PLASTIC GRIP
11	2	41708	PLATE, END PLUG MOUNTING
12	4	21292-0001	STUD, SELF-CLINCHING 1/4"-20 X 1"
13	1	44494	ASSEMBLY, DRIVE MOTOR SHROUD
14	2	A6153	SCREW, HEX HD 1/4"-20 X 1/2"
15	1	44482	ASSEMBLY, LEFT MOTOR SHROUD
16	1	44483	ASSEMBLY, RIGHT MOTOR SHROUD
17	2	41679	ASSEMBLY, REAR SHROUD (INC. ITEMS 18-21)
18	1	31765	GRILL, COOLING FAN
19	2	4021D8905	BUMPER
20	1	4111A8813	SCREW, SLT TRS HD #10-32 X 1-1/4"
21	1	F707A8803	HEX NUT, #10-32
22	A/R	4111A8815	SCREW, HEX HD #10-32 X 1/2"
23a	2	42431	TOP COVER, PS570S
23b	2	41582	TOP COVER, PS555
24	8	21256-0069	SCREW, SLT TRS HD #10-32 X 1-1/4"
25a	2	42555	INSULATION, ROOF PRECUT PS570S
25b	2	42554	INSULATION, ROOF PRECUT PS555
26a	1	41768	WINDOW GUARD, PS570S
26b	1	42488	WINDOW GUARD, PS555
27	2	30927	BUMPER, WINDOW
28a	1	41714	BASE PAD, PS570S
28b	1	41643	BASE PAD, PS555
29	1	34121-0003	SCREW, WINDOW PIVOT

ITEM	QTY.	P/N	DESCRIPTION
30	1	41627	ASSEMBLY, PS570S WINDOW WITH GLASS (INCLUDES ITEMS 31-35)
31	1	41626	FRAME, LOWER DOOR
32	1	22140-0012	GLASS, WINDOW, PRE-CUT
33	1	41630	FRAME, UPPER DOOR
34	1	41790	ASSEMBLY, WINDOW LATCH (INC. ITEM 35)
35	2	19A1S144	SCREW, HEX HD #10-32 X 1-1/4"
36a	1	42542	WELDMENT - PS555 HATCH, HANDLE, & PIVOT PIN
36b	1	44485	WELDMENT - PS555 WINDOW WITH HATCH, HANDLE, & PIVOT PIN
37	1	41587	GLASS, WINDOW, PRE-CUT
38	1	41790	ASSEMBLY, WINDOW LATCH (INC. ITEM 34)
39	2	19A1S144	SCREW, HEX HD #10-32 X 1-1/4"
40a	4	37210-0060	LEG, 483mm - SINGLE OVEN
40b	4	37210-0057	LEG, 381mm - DOUBLE OVEN
40c	4	37210-0082	LEG, 254mm - DOUBLE OVEN
40d	4	43158	LEG, 102mm - OPTIONAL FOR TRIPLE OVEN
41	16	21216-0018	BOLT, HEX CAP 1/2"-13 X 1-1/4" - SINGLE & DOUBLE OVENS
42	16	21426-0004	LOCKWASHER, 1/2" - SGL & DBL OVENS
43	16	21416-0003	FLAT WASHER, 1/2" - SGL & DBL OVENS
44	4	37115-0102	CASTER, SWIVEL WITH 3/4" STUD - SINGLE, DOUBLE, & TRIPLE OVENS
45	4	22450-0028	LEG, 152mm ADJUSTABLE WITH 3/4" STUD - SINGLE, DOUBLE, & TRIPLE OVENS
46	4	37210-0054	OUTRIGGER - QUAD OVEN
47	8	21216-0018	BOLT, HEX CAP 1/2"-13 X 1-1/4" - QUAD OVENS
48	8	21426-0004	LOCKWASHER, 1/2" - QUAD OVENS
49	8	21416-0003	FLAT WASHER, 1/2" - QUAD OVENS
50a	2	22290-0009	CASTER, SWIVEL WITH FLAT MOUNTING PLATE AND BRAKE - QUAD OVENS, FRONT
50b	2	22290-0010	CASTER, SWIVEL WITH FLAT MOUNTING PLATE (WITHOUT BRAKE) - QUAD OVENS, REAR
51	16	220373	SCREW, HEX HD 3/8"-16 X 1" - QUAD OVENS
52	16	21422-0001	LOCKWASHER, 3/8" - QUAD OVENS
53	16	21416-0001	FLAT WASHER, 3/8" - QUAD OVENS

**PS555 & PS570S
EUROPE**



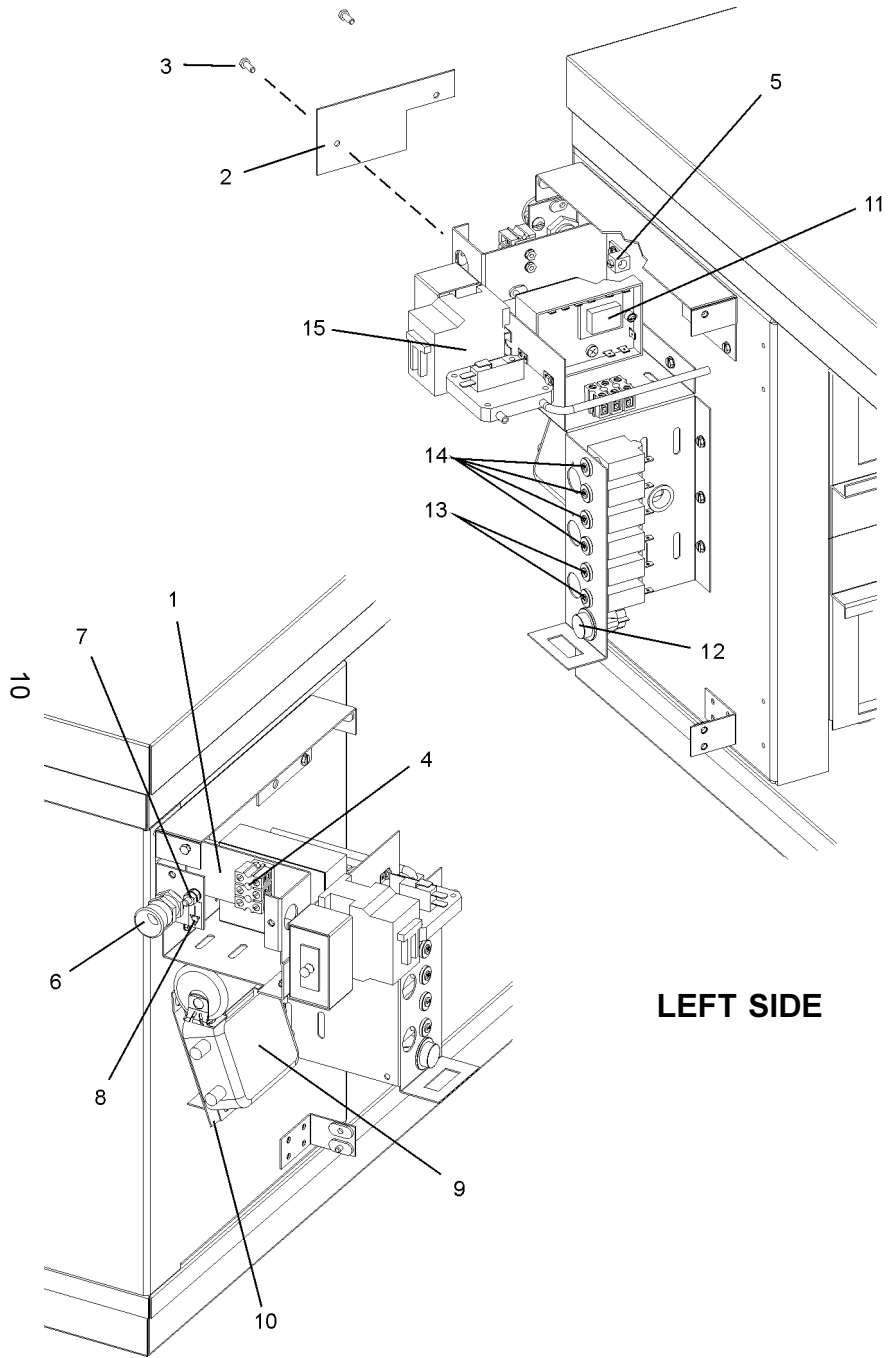
V. CONTROL PANEL AND MACHINERY COMPARTMENT

ITEM	QTY.	P/N	DESCRIPTION
1a	1	39467	MACHINERY COMPARTMENT ACCESS PANEL, PS570S, WITHOUT COMPONENTS
1b	1	41581	MACHINERY COMPARTMENT ACCESS PANEL, PS555, WITHOUT COMPONENTS
2	1	42977	LABEL, WIRING DIAGRAM
3	1	39464	LABEL, CONTROL PANEL
4	1	22500-0194	LABEL, IGNITION RESET SWITCH
5	1	22500-0021	NAMEPLATE, "MIDDLEBY MARSHALL"
6	2	A6153	SCREW, HEX HD 1/4"-20 X 1/2"
7	2	97525	COOLING FAN
8	1	44421	TRANSFORMER, 240Vp:24Vs 0.5 KVA
9	1	37498	AIR SWITCH
10	1	39052	KIT, IGNITION MODULE
11	1	31651	AMPLIFIER, MODULATING VALVE
12	3	42503	CONTACT BLOCK WITH BASE
13	1	28201-0016	SWITCH, LIGHTED IGNITION RESTART

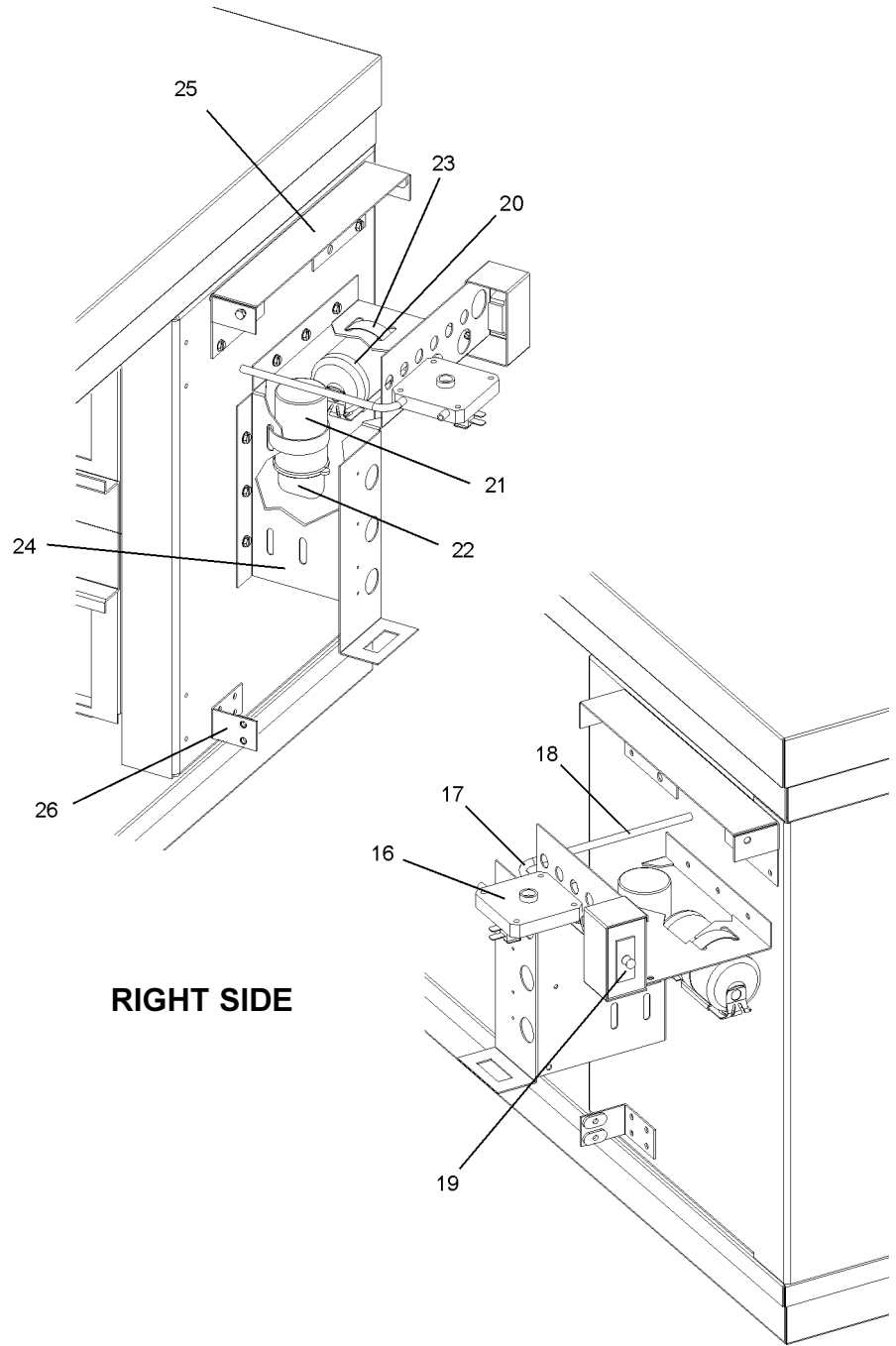
ITEM	QTY.	P/N	DESCRIPTION
14	3	37168	SELECTOR SWITCH WITH KNOB
--	1	37337	KIT, CONVEYOR SPEED CONTROLLER WITH SELECTOR AND DIGITAL DISPLAY (INC. ITEMS 15-16)
15	1	37504	SPEED CONTROL MODULE ONLY
16	1	37503	DIGITAL DISPLAY
17	1	36939	KIT, DIGITAL TEMPERATURE CONTROLLER
18	1	31504	TRANSFORMER, 230Vp:120Vs 0.2 KVA
19	2	28021-0047	SAFETY SWITCH, MACHINERY COMPARTMENT ACCESS PANEL
20	1	42501	CIRCUIT BREAKER, 2A
21	2	27470-0004	GRILL, COOLING FAN

NOT SHOWN:

--	2	37842	FILTER, FOAM, COOLING FAN
--	2	33984	KIT, THERMOCOUPLE



LEFT SIDE



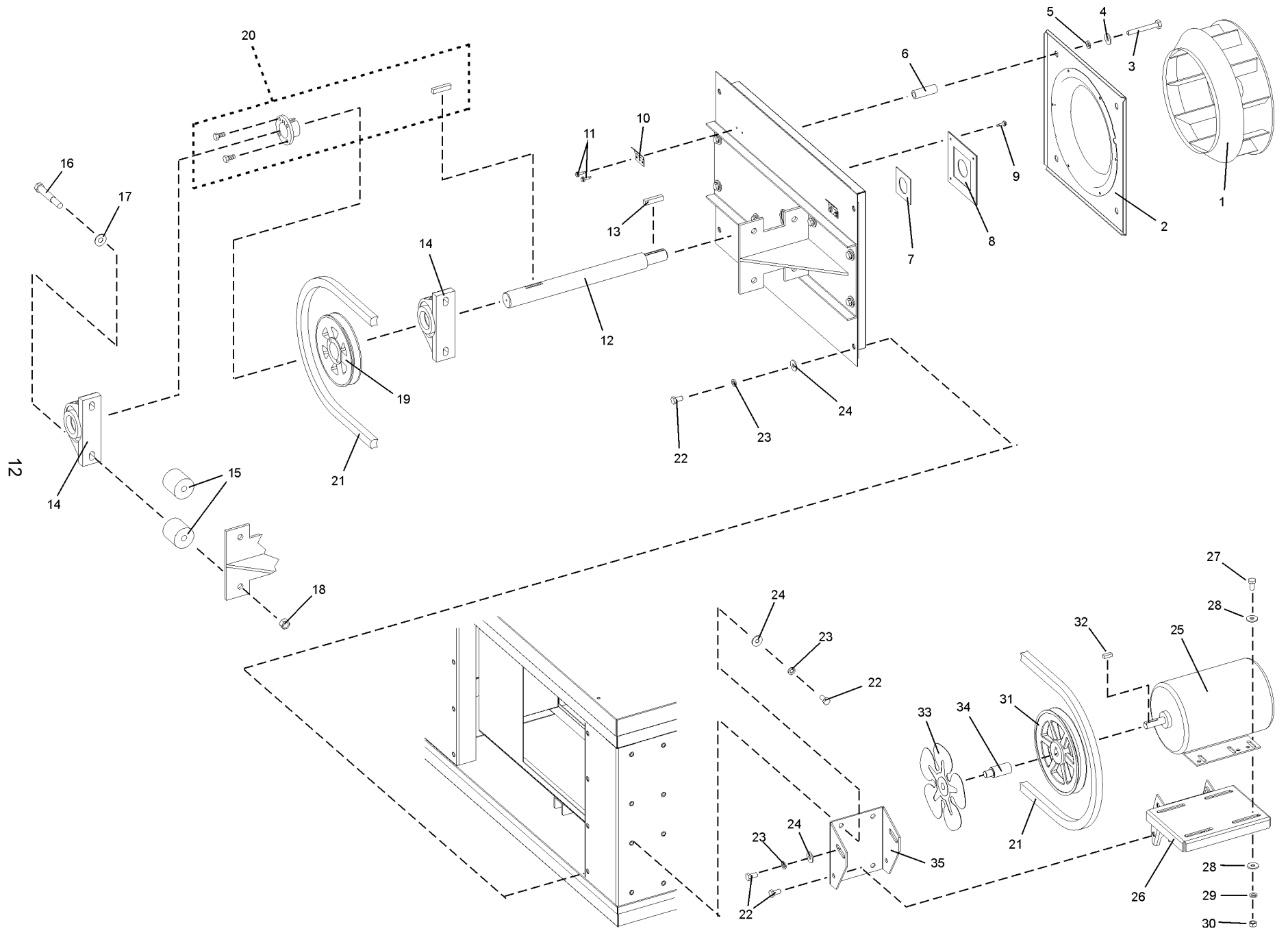
RIGHT SIDE

VI. SIDE COMPARTMENTS

ITEM	QTY.	P/N	DESCRIPTION
1	1	44463	ELECTRICAL JUNCTION BOX
2	1	44392	COVER, ELECTRICAL JUNCTION BOX
3	2	4111A8815S	SCREW, HEX HD #10-32 X 1/2"
4	2	44390	TERMINAL BLOCK, 3-POLE
5	1	31589	GROUND LUG
6	1	33412	STRAIN RELIEF
7	1	36430	ASSEMBLY, EQUIPOTENTIAL GROUND (<i>INCLUDES ITEM 8</i>)
8	1	36244	LABEL, EQUIPOTENTIAL GROUND
9	1	33813	RFI FILTER
10	1	43188	MOUNTING BRACKET, RFI FILTER
11	1	33983	HIGH LIMIT CONTROL MODULE, 240V
12	1	35145	RESET BUTTON, HIGH LIMIT, 240V
13	2	42501	CIRCUIT BREAKER, 2A
14	4	41835	CIRCUIT BREAKER, 15A

ITEM	QTY.	P/N	DESCRIPTION
15	1	28041-0011	CONTACTOR
16	2	37498	AIR SWITCH
17	A/R	22450-0297	TUBING, SILICONE BULK 1/4"/6.4mm O.D.
18	A/R	15125-0002	TUBING, ALUMINUM BULK 1/4"/6.4mm O.D.
19	2	28021-0047	SAFETY SWITCH, BLOWER MOTOR SHROUD
20a	2	44469	ASSEMBLY, START CAPACITOR (BLACK) - INCLUDES BRACKET AND END CAP
20b	2	27170-0269	START CAPACITOR (BLACK) - WITHOUT BRACKET OR END CAP
21	2	27170-0270	CAPACITOR, RUN (SILVER)
22	2	44465	INSULATOR CAP, RUN CAPACITOR
23	4	22450-0259	HOSE CLAMP
24	2	41668	MOUNTING BRACKET, SIDE COMPARTMENT COMPONENTS
25	2	43102	MOUNTING BRACKET, BLOWER MOTOR SHROUD, TOP
26	2	43126	MOUNTING BRACKET, BLOWER MOTOR SHROUD, BOTTOM

11



VII. BLOWER ASSEMBLIES AND BLOWER MOTORS

NOTE: The quantities shown below are for a single blower assembly.

ITEM	QTY.	P/N	DESCRIPTION
1a	1	22521-0005	BLOWER WHEEL - CCW, DRIVE END
1b	1	22521-0006	BLOWER WHEEL - CW, IDLER END
2	1	37210-0124	PLATE, INLET RING
3	4	21211-0001	SCREW, CAP HEX HD 3/8"-16 X 3"
4	4	21416-0001	FLAT WASHER, 3/8"
5	4	21422-0001	LOCKWASHER, SPLIT, 3/8"
6	4	35210-0576	SPACER
7	1	35210-0541	SHAFT SEAL, TEFLON
8	1	37210-0101	PLATE, SHAFT SEAL INNER
9	4	21292-0001	SCREW, HEX WSHR HD #10-16 X 3/4"
10	2	35000-1622	HANGER, REAR SHROUD
11	4	21292-0001	SCREW, HEX WSHR HD #10-16 X 3/4"
12	1	41899	SHAFT, BLOWER
13	1	35210-0286	KEY, BLOWER WHEEL
14	2	22072-0017	BEARING
15	4	39411	SPACER, BEARING
16	4	21322-0014	SCREW, CAP HEX HD 1/2"-13 X 3-1/2"
17	4	A6235	FLAT WASHER, 7/16"
18	4	21121-0013	HEX NUT, 1/2"-13
19	1	39587	PULLEY, BK70

13

ITEM	QTY.	P/N	DESCRIPTION
20	1	22031-0018	BUSHING, SPLIT, 1-7/16" I.D. (INC. KEY AND 2 BOLTS)
21a	1	42498	BELT, B68 (PS570S)
21b	1	42662	BELT, B62 (PS555)
22	12	1513D8805	SCREW, CAP HEX HD 3/8"-16 X 3/4"
23	10	21422-0001	LOCKWASHER, SPLIT 3/8"
24	10	21416-0001	FLAT WASHER, 3/8"
25	1	27381-0069	MOTOR, BLOWER, 1 HP
26	1	41666	BRACKET, MOTOR MOUNTING
27	4	A3896	SCREW, CAP HEX HD 5/16"-18 X 1"
28	8	3023A8807	FLAT WASHER, 5/16"
29	4	21421-0004	LOCKWASHER, SPLIT 5/16"
30	4	B10012	HEX NUT, 5/16"-18
31a	1	39587	PULLEY, BK70
31b	1	39586	PULLEY, BK80
32	1	220026	KEY, PULLEY 3/16" x 3/16" X 3/4" (5x5x19mm)
33	1	43024	EXTENDER, FAN
34a	1	27399-0008	FAN BLADE, CW
34b	1	27399-0009	FAN BLADE, CCW
35	1	41667	BRACKET, MOTOR SUPPORT

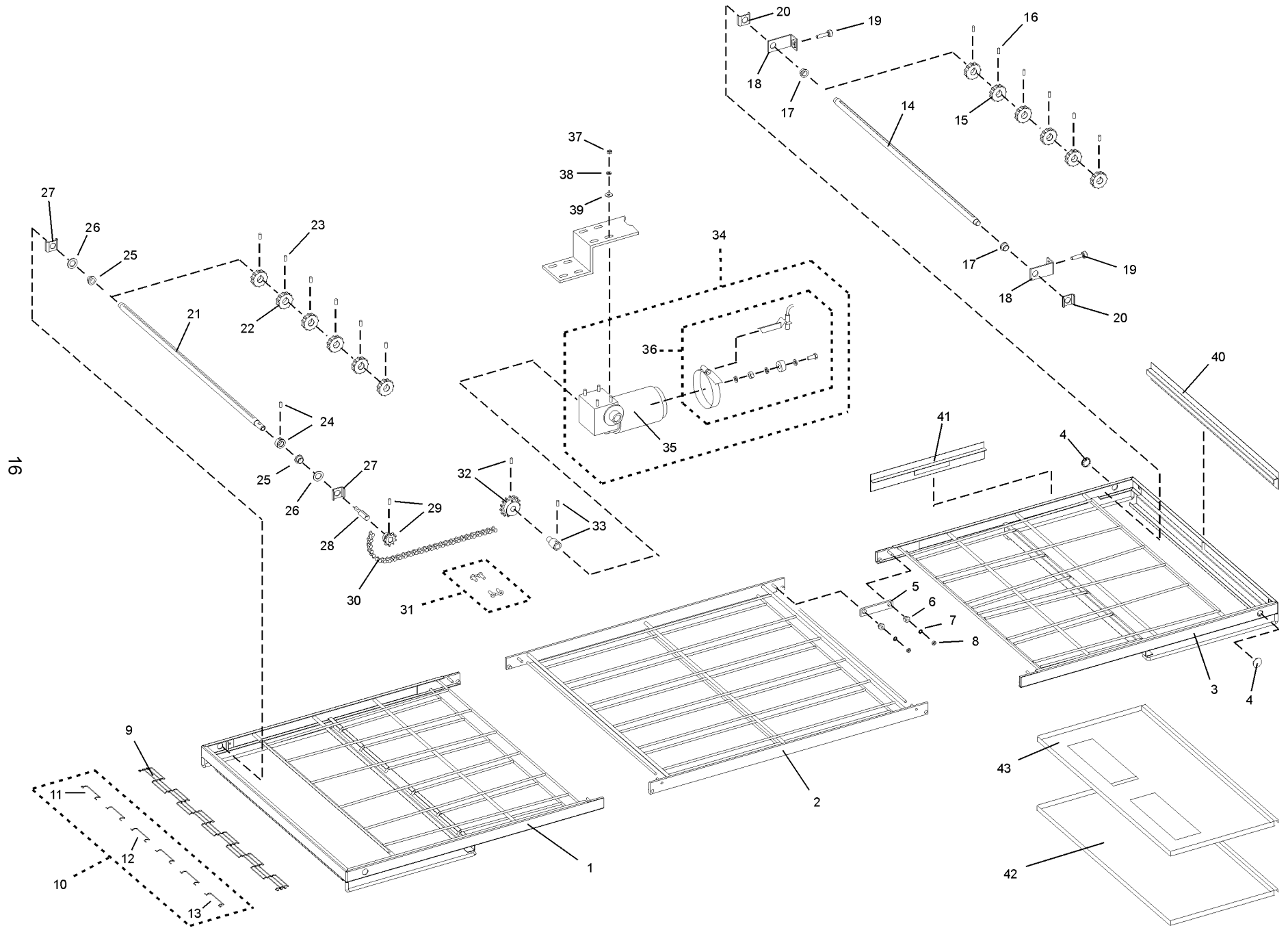
VIII. GAS BURNER SYSTEM

ITEM	QTY.	P/N	DESCRIPTION
--	1	38126	ASSEMBLY, BURNER <i>(INCLUDES ITEMS 1-13)</i>
1	1	38811	ASSEMBLY, BURNER BLOWER AND MOTOR <i>(INCLUDES ITEMS 2-4)</i>
2	1	--	BLOWER AND MOTOR
3	1	42810-0087	KIT, EXTERNAL AIR SHUTTER
4	1	42400-0640	KIT, PILOT TUBE
5	1	38127	VENTURI
6	1	42810-0117	PILOT WITH IGNITOR
7	1	27170-0204	PILOT SHIELD
8	1	27170-0264	BRACKET, PILOT MOUNTING
9	1	38284	FITTING, PILOT TUBING
10	A/R	15125-0002	TUBING, ALUMINUM, 1/4"/6.4mm O.D.
11	1	36920	FITTING, BULKHEAD
12	1	38279	ORIFICE HOLDER/INLET CONNECTOR
13	1	38280	WINDOW PLUG
14a	1	43059	MAIN ORIFICE, PS555 NATURAL GAS, 5.79mm
14b	1	43060	MAIN ORIFICE, PS555 PROPANE, 3.58mm
14a	1	22176-0014	MAIN ORIFICE, PS570S NATURAL GAS, 6.35mm
14b	1	22176-0015	MAIN ORIFICE, PS570S PROPANE, 3.84mm

15

ITEM	QTY.	P/N	DESCRIPTION
15a	1	22174-0011	PILOT ORIFICE, NATURAL GAS, 0.635mm
15b	1	22174-0010	PILOT ORIFICE, PROPANE, 0.381mm
16	1	39582	BRACKET, MOTOR MOUNTING
17	2	22450-0259	HOSE CLAMP
18	1	37210-0026	BRACKET, HOSE AND BURNER MOUNTING
19	1	22450-0255	AIR DUCT, FLEXIBLE
20	A/R	38290	TUBING, SILICONE RUBBER, 1/4"/6.4mm DIA.
21	1	27159-0019	IGNITION/SENSOR WIRE
22	1	30185	KIT, PILOT TEE 1/4"/6.4mm
23	A/R	15125-0002	TUBING, ALUMINUM, 1/4"/6.4mm O.D.
24	1	41647	VALVE, MODULATING GAS, M420, 1/2"
25	1	28092-0020	MULTIFUNCTION GAS VALVE
26	1	23115-0009	VALVE, SHUTOFF 1/2"
27	1	41649	BRACKET, PIPE MOUNTING 1-1/4"
28	1	23051-0003	UNION, PIPE 1/2"
29	1	23051-0012	UNION, PIPE 1-1/4"

**PS555 & PS570S
EUROPE**

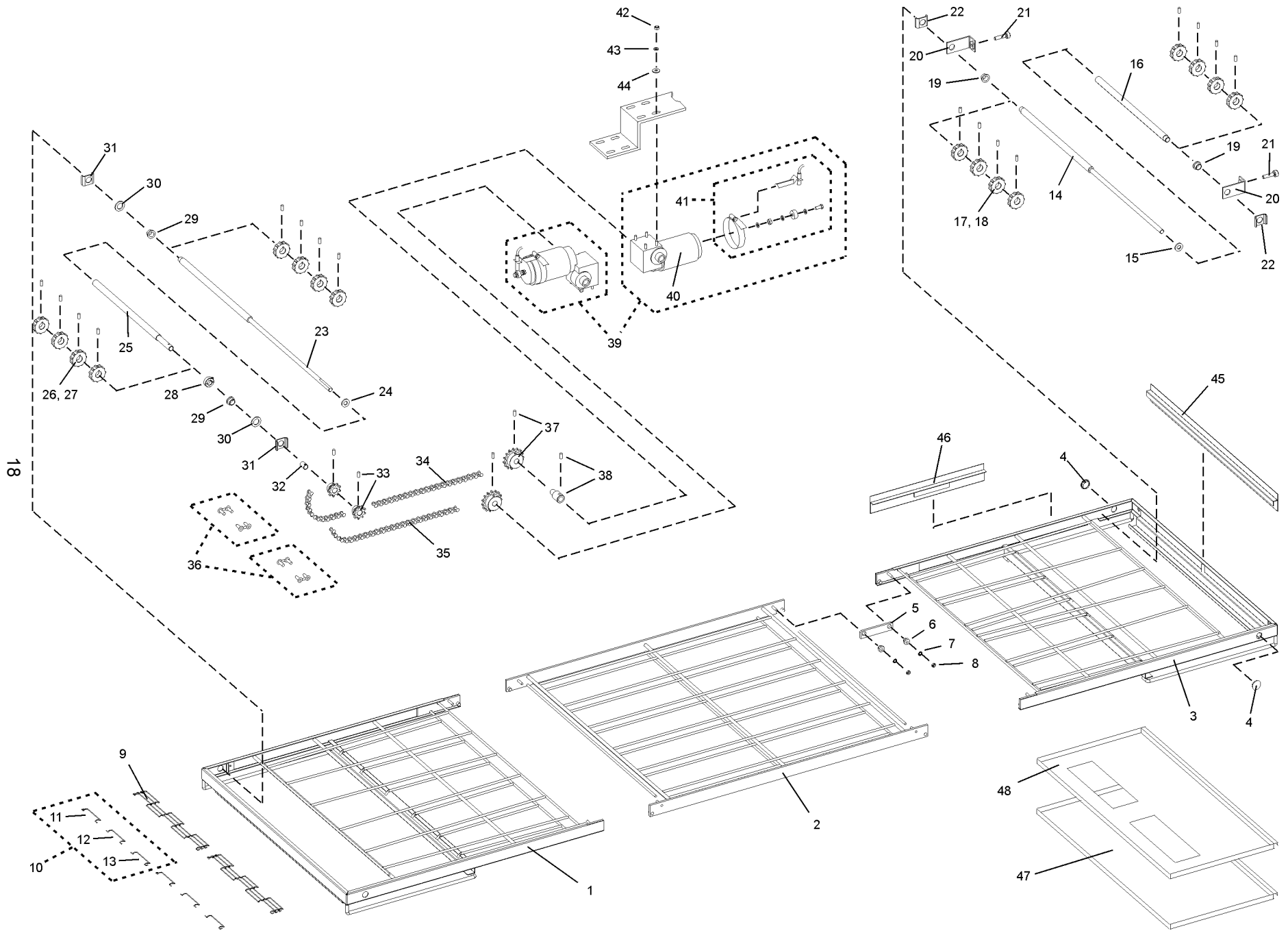


IX. CONVEYOR - SINGLE-BELT OVENS

ITEM	QTY.	P/N	DESCRIPTION
1a	1	39580	WELDMENT, CONVEYOR DRIVE FRAME, PS570S
1b	1	42518	WELDMENT, CONVEYOR DRIVE FRAME, PS555
2	1	37210-0046	WELDMENT, CONVEYOR CENTER FRAME
3a	1	39581	WELDMENT, CONVEYOR IDLER FRAME, PS570S
3b	1	42518	WELDMENT, CONVEYOR IDLER FRAME, PS555
4	2	27413-0002	PLUG, 3/4" (19mm) DIA. (PS555 ONLY)
5	4	35210-0429	PIVOT PLATE
6	8	35210-0491	BUSHING, CONVEYOR ADJUSTMENT
7	8	F716A8805	WASHER, EXTERNAL TOOTH 1/4"
8	8	21176-0001	LOCKNUT, HEX 1/4"-20
9a	1	22450-0265	CONVEYOR BELT, PS570S COMPLETE, 32"W x 204"L (0.81 X 5.18m)
9b	1	22450-0002	CONVEYOR BELT, PS555 COMPLETE, 32"W x 174"L (0.81 X 4.42m)
9c	--	33900-0032	CONVEYOR BELT, 32"W x 12"L (0.81 X 0.30m)
10	1	42400-0089	MASTER LINKS KIT, 32" (0.81m) BELT (INC. ITEMS 11-13)
11	1	--	MASTER LINK, LEFT
12	4	--	MASTER LINK, CENTER
13	1	--	MASTER LINK, RIGHT
14	1	35000-1011	SHAFT, IDLER
15	6	22229-0003	SPROCKET, CONVEYOR BELT (INC. ITEM 16)
16	6	21276-0039	SET SCREW, CONVEYOR BELT SPROCKET, 1/4"-28 X 3/8" (INC. WITH ITEM 15)
17	2	22034-0003	BUSHING, BRONZE 3/4" O.D. X 5/8" I.D.
18	2	37000-0413	BRACKET, IDLER SHAFT ADJUSTMENT
19	2	35000-1008	SCREW, CONVEYOR TENSION ADJUSTMENT
20	2	35900-0020	BRACKET, SHAFT SUPPORT
21	1	35000-1012	SHAFT, DRIVE

ITEM	QTY.	P/N	DESCRIPTION
22	6	22229-0003	SPROCKET, CONVEYOR BELT (INC. ITEM 23)
23	6	21276-0039	SET SCREW, CONVEYOR BELT SPROCKET, 1/4"-28 X 3/8" (INC. WITH ITEM 22)
24	1	22011-0013	COLLAR, SHAFT, WITH SET SCREW
25	2	22034-0003	BUSHING, BRONZE 3/4" O.D. X 5/8" I.D.
26	2	35000-1080	SPACER, NYLON 1-1/4" O.D. X 3/4" I.D.
27	2	35900-0020	BRACKET, SHAFT SUPPORT
28	1	35000-1013	ADAPTER, DRIVE SHAFT
29	1	22152-0017	SPROCKET, DRIVE SHAFT, 5/8" BORE, 9T, WITH SET SCREW
30	1	42400-0164	ASSEMBLY, ROLLER CHAIN COMPLETE (62 LINKS)
31	1	22273-0001	MASTER LINK, ROLLER CHAIN
32	1	22152-0018	SPROCKET, DRIVE MOTOR, 5/8" BORE, 15T, WITH SET SCREW
33	1	35210-0640	ADAPTER, DRIVE MOTOR, WITH SET SCREW
34	1	42400-0414	ASSEMBLY, DRIVE MOTOR AND PICKUP (INC. ITEMS 35-36)
35	1	27384-0008	DRIVE MOTOR, 1/8 HP, 1400:1
--	2	22450-0052	BRUSHES, DRIVE MOTOR
36	1	27170-0263	ASSEMBLY, PICKUP, DRIVE MOTOR
37	4	21411-0003	FLAT WASHER, 1/4"
38	4	21426-0002	LOCKWASHER, 1/4"
39	4	21126-0009	HEX NUT, 1/4"-20
40	1	35000-1103	END STOP, CONVEYOR
41	1	35900-0148	REAR STOP, CONVEYOR
42a	2	30003	CRUMB PAN, ALUMINIZED (WITHOUT OPENINGS - FOR LOWER OVEN CAVITY ONLY)
42b	2	35210-0262	CRUMB PAN, STAINLESS STEEL (WITHOUT OPENINGS - FOR LOWER OVEN CAVITIES ONLY)
43a	2	30004	CRUMB PAN, ALUMINIZED (WITH OPENINGS - FOR ALL UPPER OVEN CAVITIES)
43b	2	35210-0179	CRUMB PAN, STAINLESS STEEL (WITH OPENINGS - FOR ALL UPPER OVEN CAVITIES)

**PS555 & PS570S
EUROPE**



X. CONVEYOR - SPLIT-BELT OVENS

ITEM QTY.	P/N	DESCRIPTION
1a 1	39580	WELDMENT, CONVEYOR DRIVE FRAME, PS570S
1b 1	42518	WELDMENT, CONVEYOR DRIVE FRAME, PS555
2 1	37210-0046	WELDMENT, CONVEYOR CENTER FRAME
3a 1	39581	WELDMENT, CONVEYOR IDLER FRAME, PS570S
3b 1	42518	WELDMENT, CONVEYOR IDLER FRAME, PS555
4 2	27413-0002	PLUG, 3/4" (19mm) DIA. (PS555 ONLY)
5 4	35210-0429	PIVOT PLATE
6 8	35210-0491	BUSHING, CONVEYOR ADJUSTMENT
7 8	F716A8805	WASHER, EXTERNAL TOOTH 1/4"
8 8	21176-0001	LOCKNUT, HEX 1/4"-20
9a 2	22450-0271	CONVEYOR BELT, PS570S COMPLETE, 15"W x 204"L (0.38 X 5.18m)
9b 2	22450-0094	CONVEYOR BELT, PS555 COMPLETE, 15"W x 174"L (0.38 X 4.42m)
19 9c --	33900-0037	CONVEYOR BELT, 15"W x 12"L (0.38 X 0.30m)
10 2	NOT AVAILABLE	MASTER LINKS KIT, 15" (0.38m) BELT (INC. ITEMS 11-13)
11 1	--	MASTER LINK, LEFT
12 1	--	MASTER LINK, CENTER
13 1	--	MASTER LINK, RIGHT
14 1	42400-0354	SHAFT, IDLER, REAR
15 1	21415-0001	FLAT WASHER, BRONZE, 1" O.D. X 1/2" I.D.
16 1	35000-1535	SHAFT, IDLER, FRONT
17 8	22229-0003	SPROCKET, CONVEYOR BELT (INC. ITEM 18)
18 8	21276-0039	SET SCREW, CONVEYOR BELT SPROCKET, 1/4"-28 X 3/8" (INC. WITH ITEM 17)
19 2	22034-0003	BUSHING, BRONZE 3/4" O.D. X 5/8" I.D.
20 2	37000-0413	BRACKET, IDLER SHAFT ADJUSTMENT
21 2	35000-1008	SCREW, CONVEYOR TENSION ADJUSTMENT
22 2	35900-0020	BRACKET, SHAFT SUPPORT
23 1	42400-0355	SHAFT, DRIVE, REAR
24 1	21415-0001	FLAT WASHER, BRONZE, 1" O.D. X 1/2" I.D.

ITEM QTY.	P/N	DESCRIPTION
25 1	35000-1536	SHAFT, DRIVE, FRONT
26 8	22229-0003	SPROCKET, CONVEYOR BELT (INC. ITEM 27)
27 8	21276-0039	SET SCREW, CONVEYOR BELT SPROCKET, 1/4"-28 X 3/8" (INC. WITH ITEM 26)
28 1	22011-0014	COLLAR, SPLIT LOCKING
29 2	22034-0003	BUSHING, BRONZE 3/4" O.D. X 5/8" I.D.
30 2	35000-1080	SPACER, NYLON 1-1/4" O.D. X 3/4" I.D.
31 2	35900-0020	BRACKET, SHAFT SUPPORT
32 1	35000-1537	BUSHING, SPLIT BELT DRIVE SPROCKET
33 2	22152-0017	SPROCKET, DRIVE SHAFT, 5/8" BORE, 9T, WITH SET SCREW
34 1	42400-0164	ASSEMBLY, ROLLER CHAIN COMPLETE (62 LINKS)
35 1	42410-0128	ASSEMBLY, ROLLER CHAIN COMPLETE (48 LINKS)
36 2	22273-0001	MASTER LINK, ROLLER CHAIN
37 2	22152-0018	SPROCKET, DRIVE MOTOR, 5/8" BORE, 15T, WITH SET SCREW
38 1	35210-0640	ADAPTER, DRIVE MOTOR, WITH SET SCREW
39 2	42400-0414	ASSEMBLY, DRIVE MOTOR AND PICKUP (INC. ITEMS 40-41)
40 1	27384-0008	DRIVE MOTOR, 1/8 HP, 1400:1
-- 2	22450-0052	BRUSHES, DRIVE MOTOR
41 1	27170-0263	ASSEMBLY, PICKUP, DRIVE MOTOR
42 8	21411-0003	FLAT WASHER, 1/4"
43 8	21426-0002	LOCKWASHER, 1/4"
44 8	21126-0009	HEX NUT, 1/4"-20
45 1	35000-1103	END STOP, CONVEYOR
46 1	35900-0148	REAR STOP, CONVEYOR
47a 2	30003	CRUMB PAN, ALUMINIZED (WITHOUT OPENINGS - FOR LOWER OVEN CAVITY ONLY)
47b 2	35210-0262	CRUMB PAN, STAINLESS STEEL (WITHOUT OPENINGS - FOR LOWER OVEN CAVITIES ONLY)
48a 2	30004	CRUMB PAN, ALUMINIZED (WITH OPENINGS - FOR ALL UPPER OVEN CAVITIES)
48b 2	35210-0179	CRUMB PAN, STAINLESS STEEL (WITH OPENINGS - FOR ALL UPPER OVEN CAVITIES)

**PS555 & PS570S
EUROPE**

WARNING

Improper installation, adjustment, alteration, service or maintenance can cause property damage, injury or death. Read the installation, operating and maintenance instructions thoroughly before installing or servicing this equipment.

NOTICE

During the warranty period, ALL parts replacement and servicing should be performed by your Middleby Marshall Authorized Service Agent. Service that is performed by parties other than your Middleby Marshall Authorized Service Agent may void your warranty.

NOTICE

Using any parts other than genuine Middleby Marshall factory manufactured parts relieves the manufacturer of all warranty and liability.

NOTICE

Middleby Marshall reserves the right to change specifications at any time.

Middleby Cooking Systems Group • 1400 Toastmaster Drive • Elgin, IL 60120 • USA • (847)741-3300 • FAX (847)741-4406

24-Hour Service Hotline: 1-(800)-238-8444

www.middleby.com

